



**SLIDE OUT SINK AREA (See Addition)**

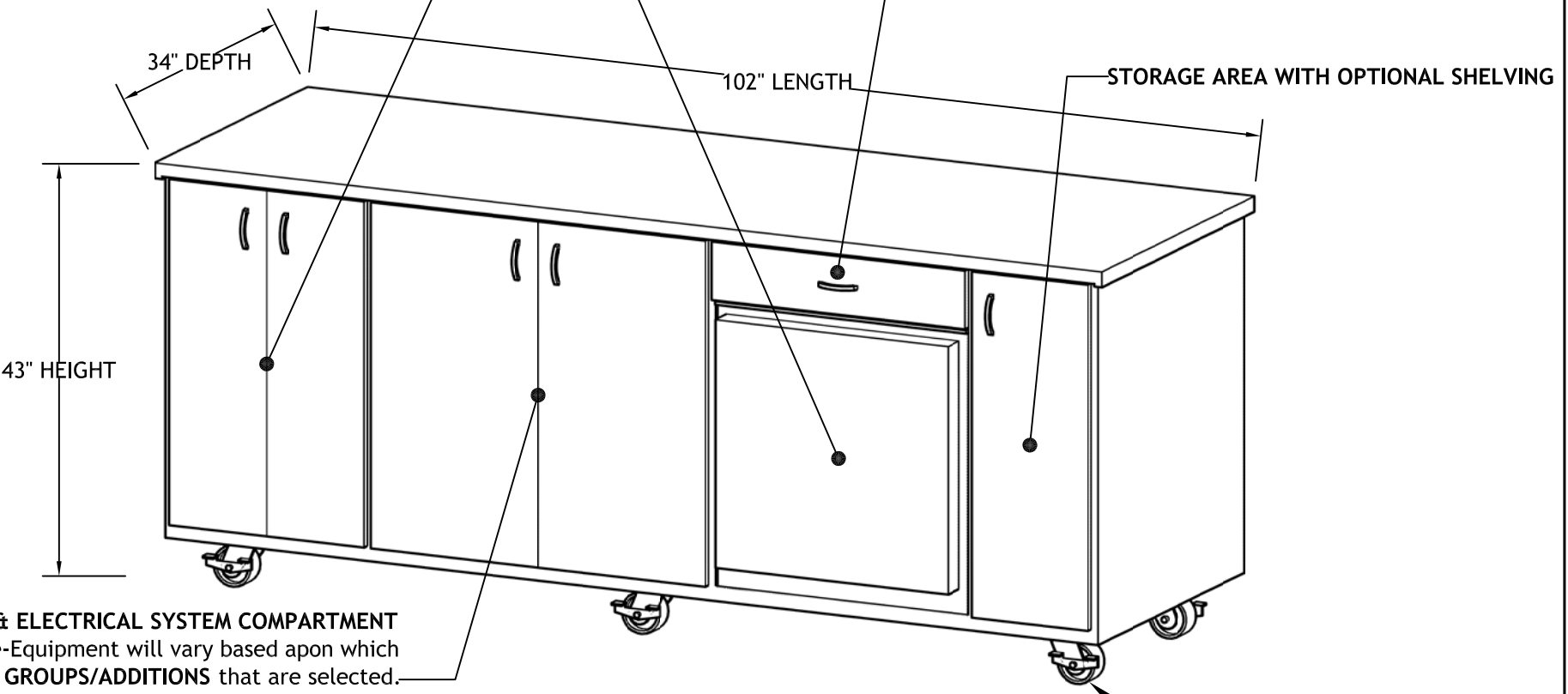
Maximize your counter space with our signature slide out sink design with portable quick disconnect waste tank.  
 A three compartment sink can be added if desired.  
 \*Note-The cart will grow in **DEPTH** to 39" if **SLIDE OUT SYSTEM** is selected.

**BUILT IN REFRIGERATION AREA (See Addition)**

Stainless steel refrigeration allows baristas easy drink preparation and storage for perishables.

**BUILT IN CUP HOLDERS AREA (See Addition)**

Stainless steel cup holders allows baristas easy drink preparation.



**WATER & ELECTRICAL SYSTEM COMPARTMENT**

\*Note-Equipment will vary based upon which **EQUIPMENT GROUPS/ADDITIONS** that are selected.

**8 1/2 FOOT CART DESCRIPTION**

**CART CONSTRUCTION**-The base frame of carts are fabricated with 3/4" thick marine grade plywood.

**INTERIOR OF CART**-Laminated with a white Formica.

**EXTERIOR OF CART**-Choice of Formica or Wilsonart laminates to match their location's theme and/or personal preference.

**WHEELS**-A total of six 5 1/2"x2" swivel casters with locking ability.

**COUNTER TOPS**-3/4" thick marine grade plywood with 1 1/2" overhang around entire exterior of cart. Formica or Wilsonart laminates on top.

\***OPTIONAL**-With 3" solid oak wood trim. (See Additions)

(6) 5 1/2" Tall Locking swivel wheels for easy transportation.