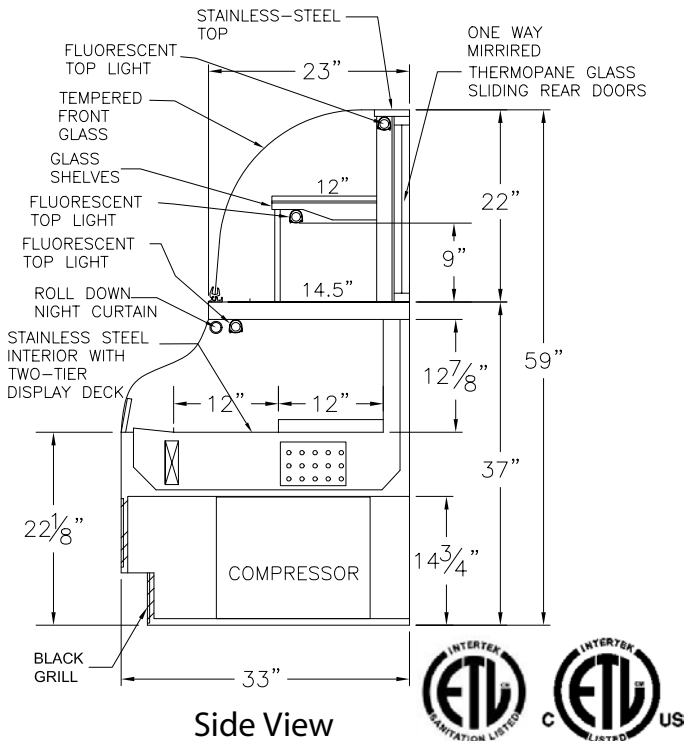


AFD TRIPLE ZONE GRAB N' GO COMBO

SELF SERVE REFRIGERATED BELOW DUAL ZONE FULL SERVE ABOVE DISPLAY CASE



Specifications

DIMENSIONS	CVIIC 3659RV	CVIIC 4859RV	CVIIC 6059RV	CVIIC 7159RV	MODEL No.	MODEL No.
Length (in)	36"	48"	60"	71"	L	L
Depth (in)	33"	33"	33"	33"	D	D
Height (in)	59"	59"	59"	59"	H	H

Electrical

Voltage	120	120	120/208	120/208	120	120
Amperes (Compressor and Light)	10.5	10.5	10.6	11.1	Amps.	Amps.
Amperes (Elect. Cond. Pan needs separate circuit)	8.3	8.3	8.3	8.3	Amps.	Amps.
Power Cord	8 ft.	8 ft.	8 ft.	8 ft.	8 ft.	8 ft.

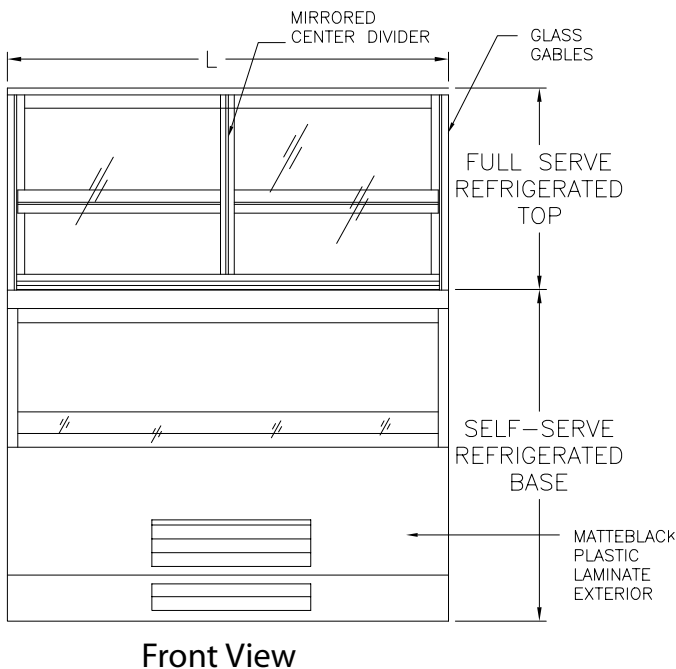
Notes

All specifications are subject to change without notice.

Custom colors are available.

Units are designed to operate under normal store conditions of 75 F (24 C) with 50% relative humidity and maintain the temperatures between 35 F to 40 F.

Condensation may occur on glass in Hot/Humid conditions. AFD is not responsible for any consequential damages as a result.



DIRECT DRAIN RECOMMENDED.



Advanced Fabrication & Design
 866-512-6747 p
 760-542-6403 f
 www.advanced-fabrication.com